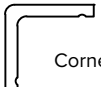
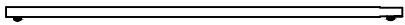

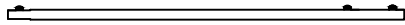
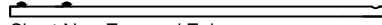
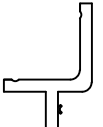

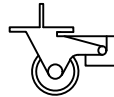
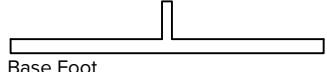




1.8x1.8m WELDING CURTAIN FRAME

PARTS

- (A)  Corner *2
- (B)  Long Tapered Tube *2
- (C)  Short Non-Tapered Tube *2
- (D)  Long Tapered Tube *2
- (E)  Short Non-Tapered Tube *2

- (F)  Corner With Foot Adapter *2
- (G)  Connector *2
- (H)  PVC Wheel *4
- (I)  Base Foot *2

ASSEMBLY

