

MIG WELDING TORCHES

XA38 MIG TORCH

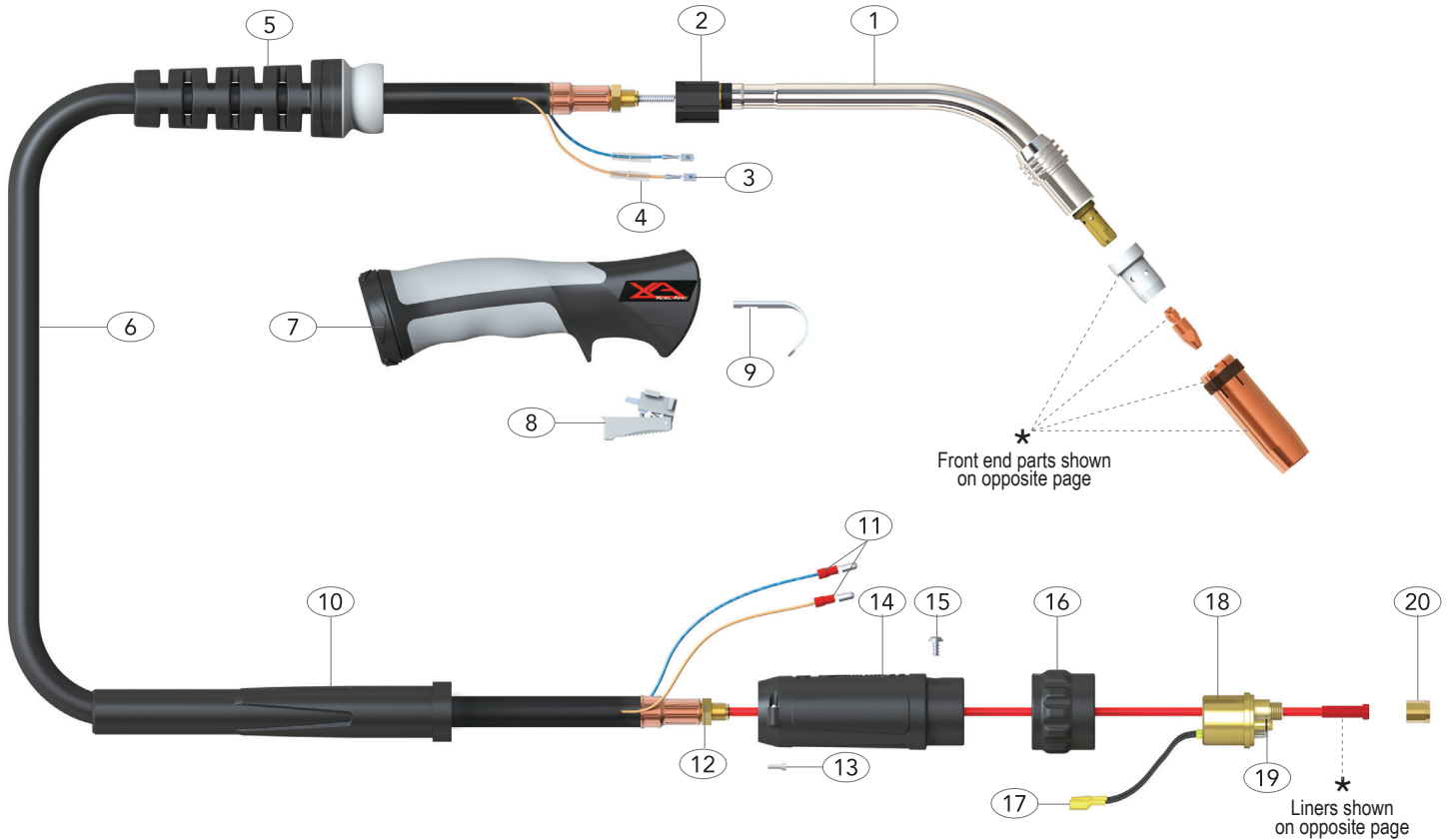


XA38 MIG TORCH

Suregrip™ Series

340A AIR COOLED MIG WELDING TORCH

Rating: 340A CO₂ 300A mixed gas EN60974-7 @ 60% duty cycle. 1.0 to 1.6mm wires



Torch Model	Description			
Description	Part Number	3 Mt	4 Mt	5 Mt
XA38 Suregrip Ergo Torch Package	XA38-3		XA38-4	XA38-5

Spare Parts		
Part Number	Description	
1	XA3801	Torch neck XA38
2	XA1515	Ergo Handle Location Body
3	XA1521	Cable Terminal
4	XA1521-C	Cable Terminal Cover
5	XA8016	Cable Support c/w Ball Joint
6	XA3809-03	Duraflex Cable Assembly x 3m
	XA3809-04	Duraflex Cable Assembly x 4m
	XA3809-05	Duraflex Cable Assembly x 5m
7	XA2514	Ergo Handle Kit c/w Lock Nut
8	XA2516	Medium /Large Trigger
9	XA2517	Hanger Hook (optional extra)
10	XA3541	Cable Support
11	XA1522	Cable Terminal - Male
12	XA1505	Lock Nut
13	XASCSP1-1	Gun Plug Housing Screw
14	XASC2578/L	Gun Plug Housing
15	XA1526	Gun Plug Screw

Spare Parts		
Part Number	Description	
16	XA1519/S	Gun Plug Nut c/w Insert
17	XA1523	Gun Plug Terminal
18	XA1528	Gun Plug Body c/w Spring Pins
19	XA1524	Gun Plug O-Ring
20	XA1525	Liner Nut

MIG WELDING TORCHES

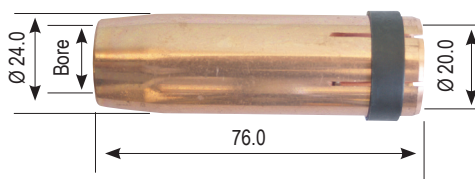
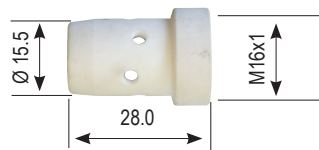
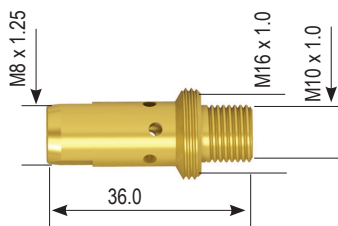
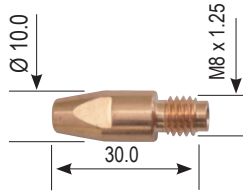
XA38 MIG TORCH



XA38 MIG TORCH CONSUMABLES

Suregrip™ Series

Front end consumables



XA38 Contact Tips M8

Part Number	Description
XA4014-08	Contact Tip ECu 0.8mm D10 M8 x 30mm
XA4014-09	Contact Tip ECu 0.9mm D10 M8 x 30mm
XA4014-10	Contact Tip ECu 1.0mm D10 M8 x 30mm
XA4014-12	Contact Tip ECu 1.2mm D10 M8 x 30mm
XA4014-16	Contact Tip ECu 1.6mm D10 M8 x 30mm
XA4014-20	Contact Tip ECu 2.0mm D10 M8 x 30mm
XA4014-10A	Contact Tip ECu 1.0Amm D10 M8 x 30mm (for Aluminium)
XA4014-12A	Contact Tip ECu 1.2Amm D10 M8 x 30mm (for Aluminium)
XA4014-16A	Contact Tip ECu 1.6Amm D10 M8 x 30mm (for Aluminium)

XA38 Tip Holder

Part Number	Description	Tip Thread	Material
XA3812	XA38 Tip Holder L = 28.5mm	M8	Brass

XA38 Gas Diffusers

Part Number	Description	Colour	Material
XA5005W	XA38 / 401W / 501W Threaded Diffuser	White	DMC3
XA5005C	XA38 / 401W / 501W Threaded Diffuser	White	Ceramic
XA5005H	XA38 / 401W / 501W Threaded Diffuser	Black	HPP

XA38 Insulating Washer

Part Number	Description	Material
XA5003	XA38/401W/501W Insulating Washer	Fibre

XA38 Gas Nozzle

Part Number	Description
XA5027	XA38/401W/501W Gas Nozzle - Cylindrical -19mm I.D
XA5028	XA38/401W/501W Gas Nozzle - Conical -16mm I.D
XA5029	XA38/401W/501W Gas Nozzle - Tapered-14mm I.D

XA38 Liners

Part Number	Description
XA2524-30B	Insulated Liner 0.9-1.2mm wire x 3.4m (Red)
XA2524-40B	Insulated Liner 0.9-1.2mm wire x 4.4m (Red)
XA2524-50B	Insulated Liner 0.9-1.2mm wire x 5.4m (Red)
XA3631-30B	Insulated Liner 1.6mm wire x 3.4m (Yellow)
XA3631-40B	Insulated Liner 1.6mm wire x 4.4m (Yellow)
XA3631-50B	Insulated Liner 1.6mm wire x 5.4m (Yellow)
XA2513-30B	Teflon Liner 1.0-1.2mm x 3.4m for Soft wire
XA2513-40B	Teflon Liner 1.0-1.2mm x 4.4m for Soft wire
XA2513-50B	Teflon Liner 1.0-1.2mm x 5.4m for Soft wire
XA2564-30	PA Liner 1.0-1.2mm x 3.4m for Soft & S/Steel wire, O.D = 4.0mm
XA2564-40	PA Liner 1.0-1.2mm x 4.4m for Soft & S/Steel wire, O.D = 4.0mm
XA3564-30	PA Liner 1.0-1.2mm x 3.4m for Soft & S/Steel wire, O.D = 4.7mm
XA3564-40	PA Liner 1.0-1.2mm x 4.4m for Soft & S/Steel wire, O.D = 4.7mm

Liners

