

# MIG WELDING TORCHES

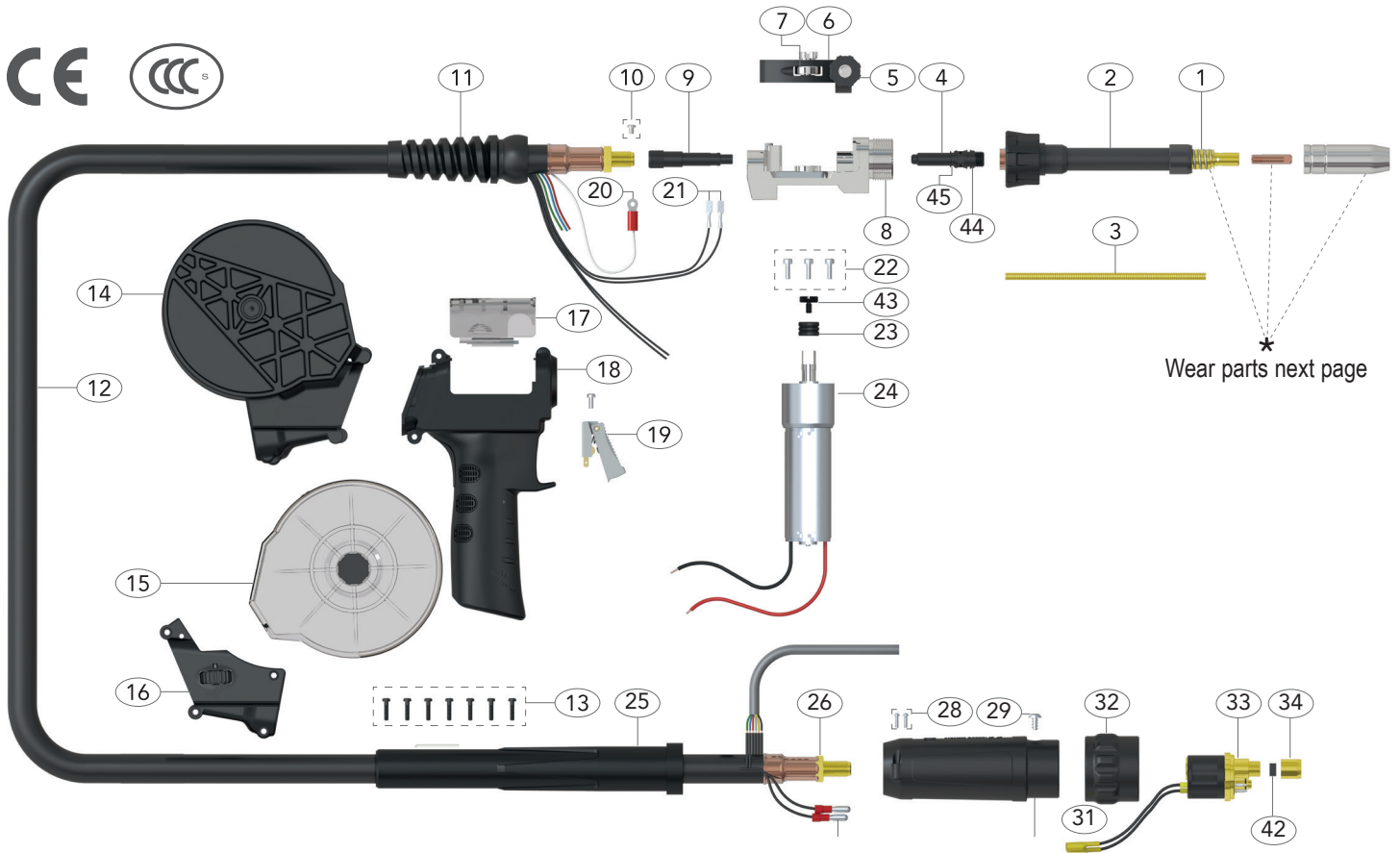
## XASP15 SPOOL GUN



### 150A AIR COOLED SPOOL ON GUN MIG WELDING TORCH

Rating: 150A CO<sub>2</sub> 130A mixed gas EN60974-7 @ 60% duty cycle. 0.8 to 1.0mm wires

**Suregrip™ Series**



\* Wear parts next page

Torch Model	Part Number	Description
XASP15-24-P1-60ER		XA Suregrip Spool Gun 150A x 6m, 1K Pot, 24V Motor

Spare Parts		
Part Number	Description	
1	XA1504	Shroud Spring
2	XAP1501	Straight Neck Assembly
3	XAP1502	Jump Liner
4	XAP36006	Jump Liner Nipple
5	XAP36402B	Tension Knob
6	XAP36402	Pressure Arm Assembly
7	XAP36402R	Pressure Roll
8	XAP36001	Motor Body
9	XAP36006	Wire Guide
10	XA2563	Screw
11	XA8015	Cable Support
12	XASP1517-60ER	Coax Cable Assembly, Euro Type
13	XAA3X20	Handle Screw Pack
14	XAP2515SP-B	Spool Holder
15	XAP2515SP-C	Spool Cover
16	XAP2515SP-PT-1K	Wire Speed Control 1KΩ
	XAP2515SP-PT-5K	Wire Speed Control 5KΩ
	XAP2515SP-PT-10K	Wire Speed Control 10KΩ
17	XAP2514/C	Spool Gun Handle Cover
18	XAP2515/KJ	Spool Gun Handle
19	XAP2516	Push Pull Trigger
20	XA2597	Circular Cold Press Terminal

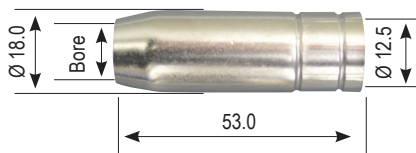
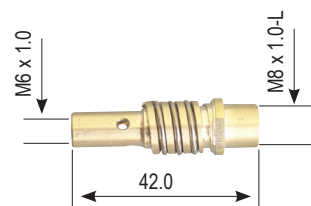
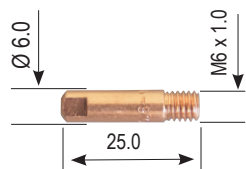
Spare Parts		
Part Number	Description	
21	XA1521	Cable Terminal
22	XAPMS1	Motor Screw Pack
23	XAP7020W-08U*	Driver Roll For Aluminium Wire 0.8
	XAP7020W-09U	Driver Roll For Aluminium Wire 0.9
	XAP7020W-10U	Driver Roll For Aluminium Wire 1.0
	XAP7020W-12U	Driver Roll For Aluminium Wire 1.2
	XAP7020W-16U	Driver Roll For Aluminium Wire 1.6
24	XAP7020-24	Motor 24V DC
	XAP7020-42	Motor 42V DC
25	XAA2041	Cable Support
26	XA1505	Lock Nut
27	XA1522	Cable Terminal Male
28	XASP1-1	Gun Plug Housing Screw
29	XA1541	Gun Plug Screw
30	XA2578H/L	Gun Plug Housing Assembly
31	XA1523	Gun Plug Terminal Female
32	XA1519/S	Housing Nut
33	XA1528	Hybrid Gun Plug Body with Pins
34	XA1525	Retaining Nut
42	XA1525W	Washer

\* Supplied standard with 0.8mm U Groove for Alloy Wire

### XASP15 MIG TORCH CONSUMABLES

### Suregrip™ Series

#### Front end consumables



#### XA15 Contact Tips

Part Number	Description
XA1527-06	Contact Tip ECu 0.6mm D6 M6 x 25mm
XA1527-08	Contact Tip ECu 0.8mm D6 M6 x 25mm
XA1527-09	Contact Tip ECu 0.9mm D6 M6 x 25mm
XA1527-10	Contact Tip ECu 1.0mm D6 M6 x 25mm
XA1527-12	Contact Tip ECu 1.2mm D6 M6 x 25mm

#### XA15 Tip Holder

Part Number	Description
XA1507	XA15 Tip Holder M6 Right Hand
XA1507LH	XA15 Tip Holder M6 Left Hand (supplied as standard)

#### XA15 Nozzle Spring

Part Number	Description
XA1504	XA15 Nozzle Spring

#### XA15 Gas Nozzle

Part Number	Description
XA1529	XA15 Gas Nozzle - Cylindrical -16mm I.D
XA1530	XA15 Gas Nozzle - Conical -12mm I.D
XA1531	XA15 Gas Nozzle - Tapered-10.5mm I.D
XA1532	XA15 Gas Nozzle - Bottle -12.8mm I.D
XA1533	XA15 Gas Nozzle - Spot Welding -16mm I.D