

MIG WELDING TORCHES

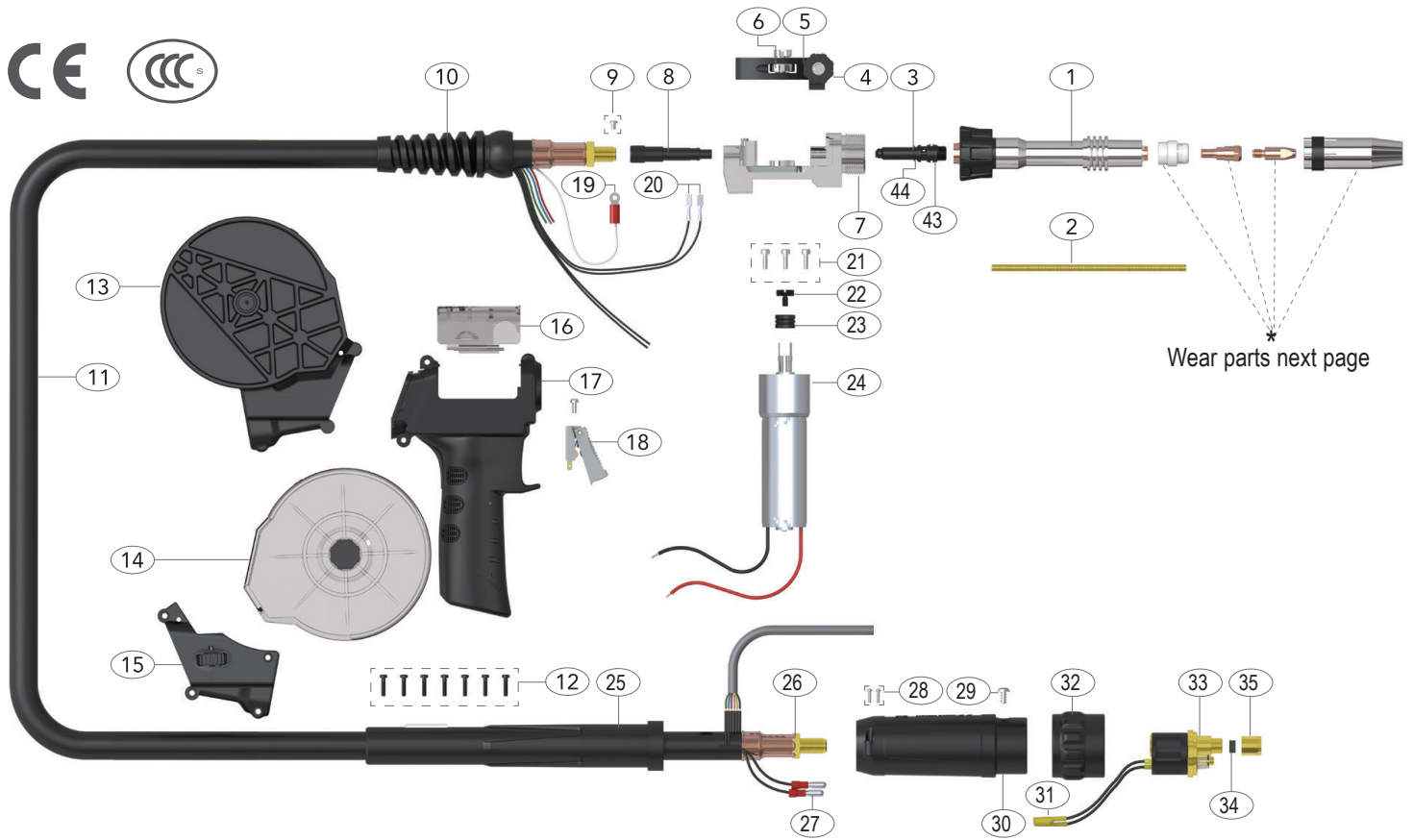
XASP24 SPOOL GUN



220A AIR COOLED SPOOL ON GUN MIG WELDING TORCH

Rating: 220A CO₂, 200A mixed gas EN60974-7 @ 60% duty cycle. 0.8 to 1.2mm wires

Suregrip™ Series



Torch Model	Description
-------------	-------------

Part Number	Description
XASP24-24-P1-60ER	XA Suregrip Spool Gun 220A x 6m, 1K Pot, 24V Motor

Spare Parts		
Part Number	Description	

1	XAP2401A	Straight Neck Assembly
2	XAP3602A	Jump Liner
3	XAP36006	Jump Liner Nipple
4	XAP36402B	Tension Knob
5	XAP36402	Pressure Arm Assembly
6	XAP36402R	Pressure Roll
7	XAP36001	Motor Body
8	XAP36006	Wire Guide
9	XA2563	Screw
10	XA8015	Cable Support
11	XASP2403-60ER	Coax Cable Assembly, Euro Type
12	XAA3X20	Handle Screw Pack
13	XAP2515SP-B	Spool Holder
14	XAP2515SP-C	Spool Cover
15	XAP2515SP-PT-1K	Wire Speed Control 1KΩ
	XAP2515SP-PT-5K	Wire Speed Control 5KΩ
	XAP2515SP-PT-10K	Wire Speed Control 10KΩ
16	XAP2514/C	Spool Gun Handle Cover
17	XAP2515/KJ	Spool Gun Handle
18	XAP2516	Push Pull Trigger
19	XA2597	Circular Cold Press Terminal
20	XA1521	Cable Terminal
21	XAPMS1	Motor Screw Pack

Spare Parts		
Part Number	Description	

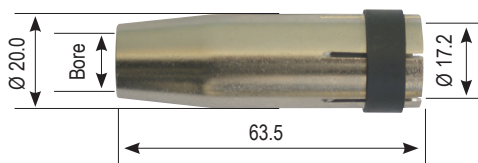
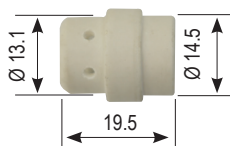
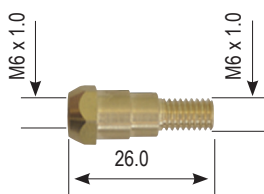
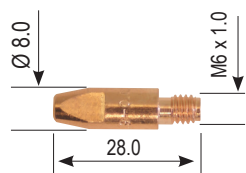
22	P7020-24-4	Screw
23	XAP7020W-08U	Driver Roll For Aluminium Wire 0.8
	XAP7020W-09U	Driver Roll For Aluminium Wire 0.9
	XAP7020W-10U*	Driver Roll For Aluminium Wire 1.0
	XAP7020W-12U	Driver Roll For Aluminium Wire 1.2
	XAP7020W-16U	Driver Roll For Aluminium Wire 1.6
24	XAP7020-24	Motor 24V DC
	XAP7020-42	Motor 42V DC
25	XAA2041	Cable Support
26	XA1505	Lock Nut
27	XA1522	Cable Terminal Male
28	XASP1-1	Gun Plug Housing Screw
29	XA1541	Gun Plug Screw
30	XA2578H/L	Gun Plug Housing Assembly
31	XA1523	Gun Plug Terminal Female
32	XA1519/S	Housing Nut
33	XA1528	Hybrid Gun Plug Body with Pins
34	UB1525W	Washer
35	XA1525	Retaining Nut

*Supplied standard with 1.0mm U Groove for Alloy Wire

XASP24 MIG TORCH CONSUMABLES

Suregrip™ Series

Front end consumables



XA24 Contact Tips

Part Number	Description
XA2504-06	Contact Tip ECu 0.6mm D6 M6 x 28mm
XA2504-08	Contact Tip ECu 0.8mm D8 M6 x 28mm
XA2504-09	Contact Tip ECu 0.9mm D8 M6 x 28mm
XA2504-10	Contact Tip ECu 1.0mm D8 M6 x 28mm
XA2504-12	Contact Tip ECu 1.2mm D8 M6 x 28mm
XA2504-16	Contact Tip ECu 1.6mm D8 M6 x 28mm
XA2504-10A	Contact Tip ECu 1.0Amm D8 M6 x 28mm (for Aluminium)
XA2504-12A	Contact Tip ECu 1.2Amm D8 M6 x 28mm (for Aluminium)
XA2504-16A	Contact Tip ECu 1.6Amm D8 M6 x 28mm (for Aluminium)

Tip Holder XA24

Part Number	Description	Tip Thread	Material
XA2412	XA24 Tip Holder L = 26.0mm	M6	Brass

XA24 Diffuser

Part Number	Description	Colour	Material
XA2405W	XA24 Gas Diffuser L = 19.5mm	White	DMC3
XA2405C	XA24 Gas Diffuser L = 19.5mm	White	Ceramic
XA2405B	XA24 Gas Diffuser L = 19.5mm	Black	DMC3
XA2405S	XA24 Gas Diffuser L = 19.5mm	Red	Silicon

XA24 Gas Nozzle

Part Number	Description	Type	Bore Ø	Material
XA2415	XA24 Gas Nozzle	Cylindrical	17.2mm	Copper
XA2416	XA24 Gas Nozzle	Conical	12.5mm	Copper
XA2417	XA24 Gas Nozzle	Tapered	10.0mm	Copper