

MIG WELDING TORCHES

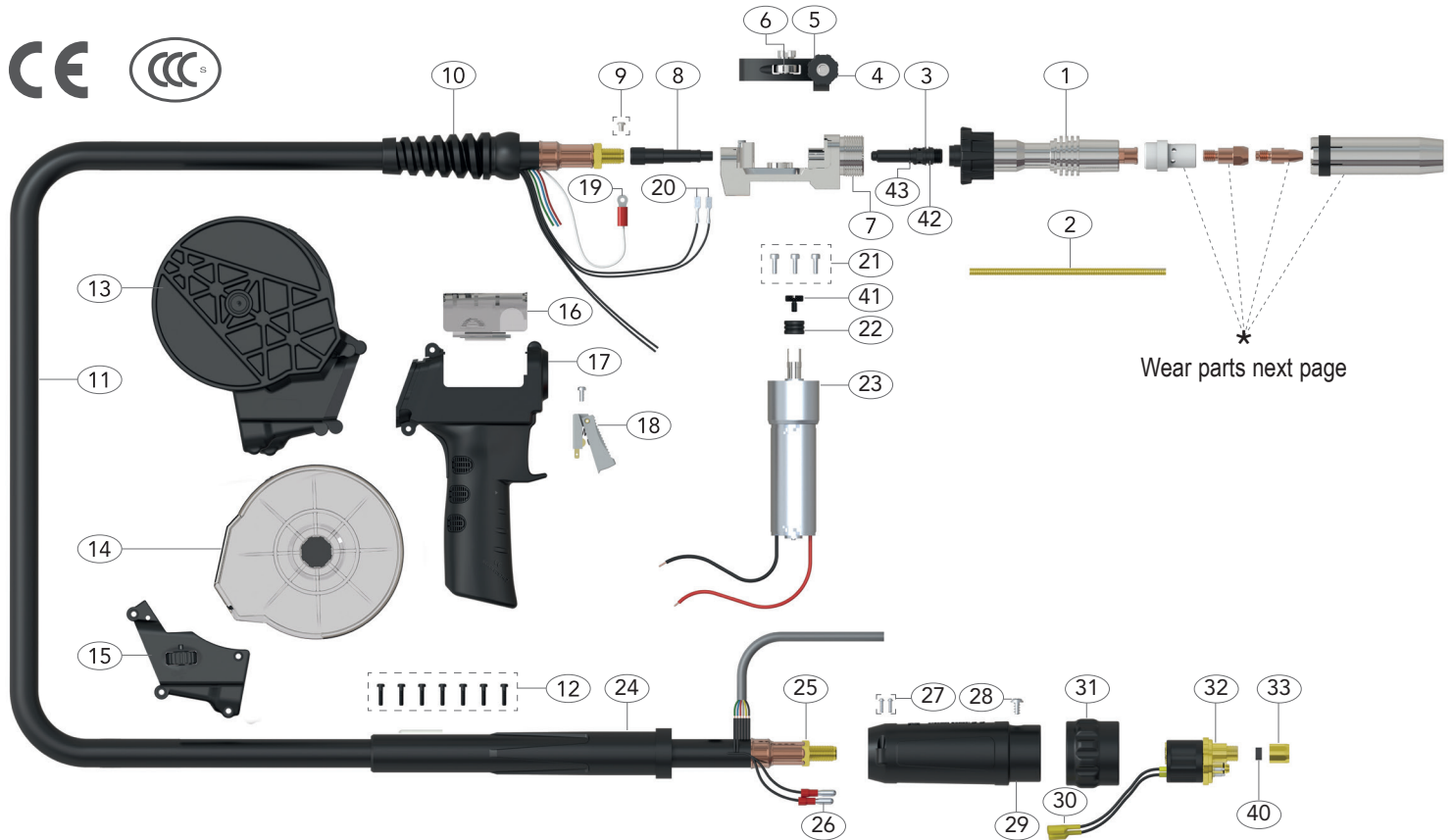
XASP36 SPOOL GUN



270A AIR COOLED SPOOL ON GUN MIG WELDING TORCH

Rating: 270A CO₂ 250A mixed gas EN60974-7 @ 60% duty cycle. 0.8 to 1.2mm wires

Suregrip™ Series



Torch Model	Description
XASP36-24-P1-60ER	XA Suregrip Spool Gun 270A x 6m, 1K Pot, 24V Motor

Spare Parts		
Part Number	Description	
1	XAP3603A	Straight Neck Assembly
2	XAP3602A	Jump Liner
3	XAP36006	Jump Liner Nipple
4	XAP36402B	Tension Knob
5	XAP36402	Pressure Arm Assembly
6	XAP36402R	Pressure Roll
7	XAP36001	Motor Body
8	XAP36006	Wire Guide
9	XA2563	Screw
10	XA8015	Cable Support
11	XASP3609-60ER	Coax Cable Assembly, Euro Type
12	XAA3X20	Handle Screw Pack
13	XAP2515SP-B	Spool Box
14	XAP2515SP-C	Spool Cover
15	XAP2515SP-PT-1K	Wire Speed Control 1KΩ
	XAP2515SP-PT-5K	Wire Speed Control 5KΩ
	XAP2515SP-PT-10K	Wire Speed Control 10KΩ
16	XAP2514/C	Spool Gun Handle Cover
17	XAP2515/KJ	Spool Gun Handle
18	XAP2516	Push Pull Trigger
19	XA2597	Circular Cold Press Terminal
20	XA1521	Cable Terminal
21	XAPMS1	Motor Screw Pack

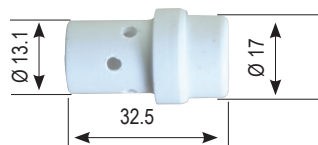
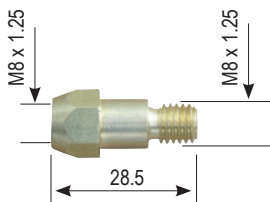
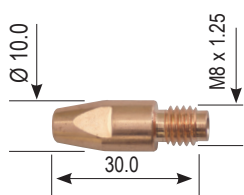
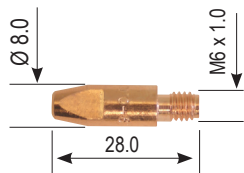
Spare Parts		
Part Number	Description	
22	XAP7020W-08U	Driver Roll For Aluminium Wire 0.8
	XAP7020W-09U	Driver Roll For Aluminium Wire 0.9
	XAP7020W-10U*	Driver Roll For Aluminium Wire 1.0
	XAP7020W-12U	Driver Roll For Aluminium Wire 1.2
	XAP7020W-16U	Driver Roll For Aluminium Wire 1.6
23	XAP7020-24	Motor 24V DC
	XAP7020-42	Motor 42V DC
24	XAA3541	Cable Support
25	XA1505	Lock Nut
26	XA1522	Cable Terminal Male
27	XASP1-1	Gun Plug Housing Screw
28	XA1541	Gun Plug Screw
29	XA2578H/L	Gun Plug Housing Assembly
30	XA1523	Gun Plug Terminal Female
31	XA1519/S	Housing Nut
32	XA1528	Hybrid Gun Plug Body with Pins
33	XA1525	Retaining Nut
40	XA1525W	Washer

*Supplied standard with 1.0mm U Groove for Alloy Wire!

XASP36 MIG TORCH CONSUMABLES

Suregrip™ Series

Front end consumables



XA36 Contact Tips M6

Part Number	Description
XA2504-06	Contact Tip ECu 0.6mm D6 M6 x 28mm
XA2504-08	Contact Tip ECu 0.8mm D8 M6 x 28mm
XA2504-09	Contact Tip ECu 0.9mm D8 M6 x 28mm
XA2504-10	Contact Tip ECu 1.0mm D8 M6 x 28mm
XA2504-12	Contact Tip ECu 1.2mm D8 M6 x 28mm
XA2504-16	Contact Tip ECu 1.6mm D8 M6 x 28mm
XA2504-10A	Contact Tip ECu 1.0Amm D8 M6 x 28mm (for Aluminium)
XA2504-12A	Contact Tip ECu 1.2Amm D8 M6 x 28mm (for Aluminium)
XA2504-16A	Contact Tip ECu 1.6Amm D8 M6 x 28mm (for Aluminium)

XA36 Contact Tips M8

Part Number	Description
XA4014-08	Contact Tip ECu 0.8mm D10 M8 x 30mm
XA4014-09	Contact Tip ECu 0.9mm D10 M8 x 30mm
XA4014-10	Contact Tip ECu 1.0mm D10 M8 x 30mm
XA4014-12	Contact Tip ECu 1.2mm D10 M8 x 30mm
XA4014-16	Contact Tip ECu 1.6mm D10 M8 x 30mm
XA4014-20	Contact Tip ECu 2.0mm D10 M8 x 30mm
XA4014-10A	Contact Tip ECu 1.0Amm D10 M8 x 30mm (for Aluminium)
XA4014-12A	Contact Tip ECu 1.2Amm D10 M8 x 30mm (for Aluminium)
XA4014-16A	Contact Tip ECu 1.6Amm D10 M8 x 30mm (for Aluminium)

XA36 Tip Holder

Part Number	Description	Tip Thread	Material
XA3612	XA36 Tip Holder L = 28.5mm	M6	Brass
XA3614	XA36 Tip Holder L = 28.5mm	M8	Brass

Gas Diffuser XA36

Part Number	Description	Colour	Material
XA3605W	XA36 Gas Diffuser L = 32.5mm	White	DMC3
XA3605C	XA36 Gas Diffuser L = 32.5mm	White	Ceramic
XA3605B	XA36 Gas Diffuser L = 32.5mm	Black	DCM3
XA3605H	XA36 Gas Diffuser High Temp	Black	HPP

XA36 Gas Nozzle

Part Number	Description	Type	Bore Ø	Material
XA3615	XA36 Gas Nozzle	Cylindrical	19.0mm	Copper
XA3616	XA36 Gas Nozzle	Conical	16.0mm	Copper
XA3617	XA36 Gas Nozzle	Tapered	12.0mm	Copper